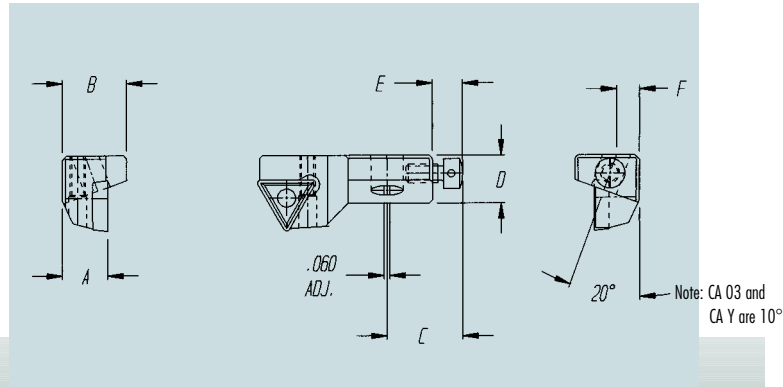
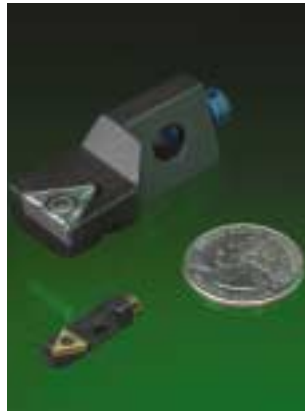


ISO STANDARD

Cartridges



Call Us Today for special cartridges!

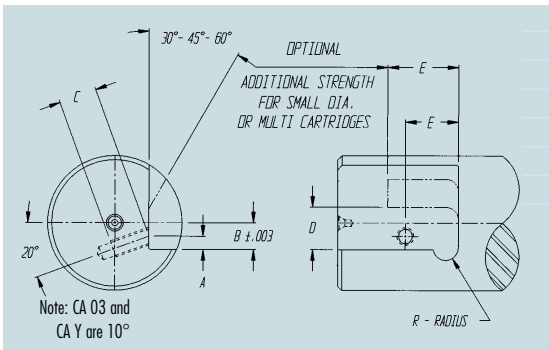


Cartridge Dimensions

| CARTRIDGE SIZE (CA) | A | B | C | D | E | F | MOUNTING SCREW |
|---------------------|------|------|------|------|------|------|-----------------------------|
| 03.5 | .135 | .200 | .385 | .145 | .155 | .084 | 3-48 X 1/4 LG B.H.S.C.S. |
| 04.5 | .185 | .250 | .400 | .175 | .155 | .110 | 4-40 X 3/8 LG B.H.S.C.S. |
| 06 X7 | .236 | .226 | .472 | .177 | .177 | .098 | 4-40 X .375 LG B.H.S.C.S. |
| 06 | .236 | .315 | .472 | .197 | .177 | .138 | 6-32 X .375 LG B.H.S.C.S. |
| 08 | .315 | .435 | .669 | .295 | .276 | .177 | 8-32 X .500 LG B.H.S.C.S. |
| 10 | .394 | .545 | .787 | .375 | .315 | .197 | 1/4"-20 X 3/4 LG L.H.S.C.S. |
| 12 | .472 | .670 | .787 | .500 | .315 | .236 | 1/4"-20 X 3/4 LG S.H.C.S. |

Mounting Requirements

| CARTRIDGE SIZE (CA) | A | B | MIN. C | D | E | F | RADIUS R | MOUNTING SCREW |
|---------------------|------|------|--------|------|------|------|----------|-----------------------------|
| 03.5 | .084 | .135 | .187 | .225 | .385 | .500 | .078 | 3-40 X 1/4 LG B.H.S.C.S. |
| 04.5 | .110 | .185 | .250 | .275 | .400 | .500 | .078 | 4-40 X 3/8 LG B.H.S.C.S. |
| 06 X7 | .098 | .236 | .250 | .250 | .472 | .675 | .156 | 4-40 X .375 LG B.H.S.C.S. |
| 06 | .138 | .236 | .250 | .375 | .472 | .625 | .156 | 6-32 X .375 LG B.H.S.C.S. |
| 08 | .177 | .315 | .281 | .500 | .669 | .850 | .188 | 8-32 X .500 LG B.H.S.C.S. |
| 10 | .197 | .394 | .562 | .625 | .787 | 1.05 | .312 | 1/4"-20 X 3/4 LG L.H.S.C.S. |
| 12 | .236 | .472 | .562 | .750 | .787 | 1.15 | .375 | 1/4"-20 X 3/4 LG S.H.C.S. |



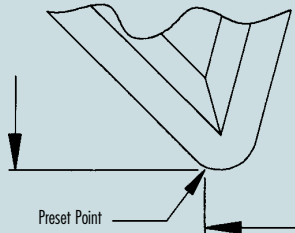
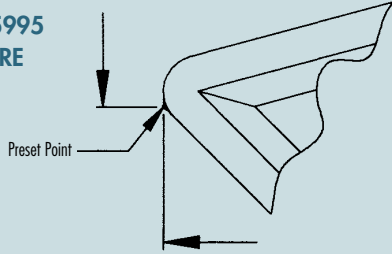
Spares/Accessories - Ordering Codes

| CARTRIDGE | INSERT SCREW (TORX) | TORX WRENCH | HEXAGON WRENCH (MOUNTING) | AXIAL ADJUSTING SCREW | RADIAL ADJUSTING SCREW | HEXAGON WRENCH (RAD ADJ) |
|------------|---------------------|-------------|---------------------------|-----------------------|------------------------|--------------------------|
| 03.5CA-03 | TF 05995 | T6 | 1/16 | TF 05999 | TF 25608 | .035 |
| 04.5CA-Y | TF 05996 | T6 | 1/16 | TF 05999 | TF 25608 | .035 |
| 06CA-06 X7 | TF 20456 | T6 | 1/16 | TF 35077 | TF 35005 | 1.5mm |
| 06CA-06 | TF 20456 | T6 | 5/64 | TF 35077 | TF 35005 | 1.5mm |
| 08CA-09 | TF 26260 | T7 | 3/32 | TF 47107 | TF 47006 | 2.0mm |
| 10CA-11 | TF 26264 | T7 | 1/8 | TF 47510 | TF 47010 | 2.0mm |
| 12CA-16 | TF 04754 | T15 | 3/16 | TF 47510 | TF 47010 | 2.0mm |



ISO STANDARD
Cartridges

INSERT CDCB 1.21.20.5
CDCB 03 01 02
TORX SCREW TF 05995
.394 MINIMUM BORE



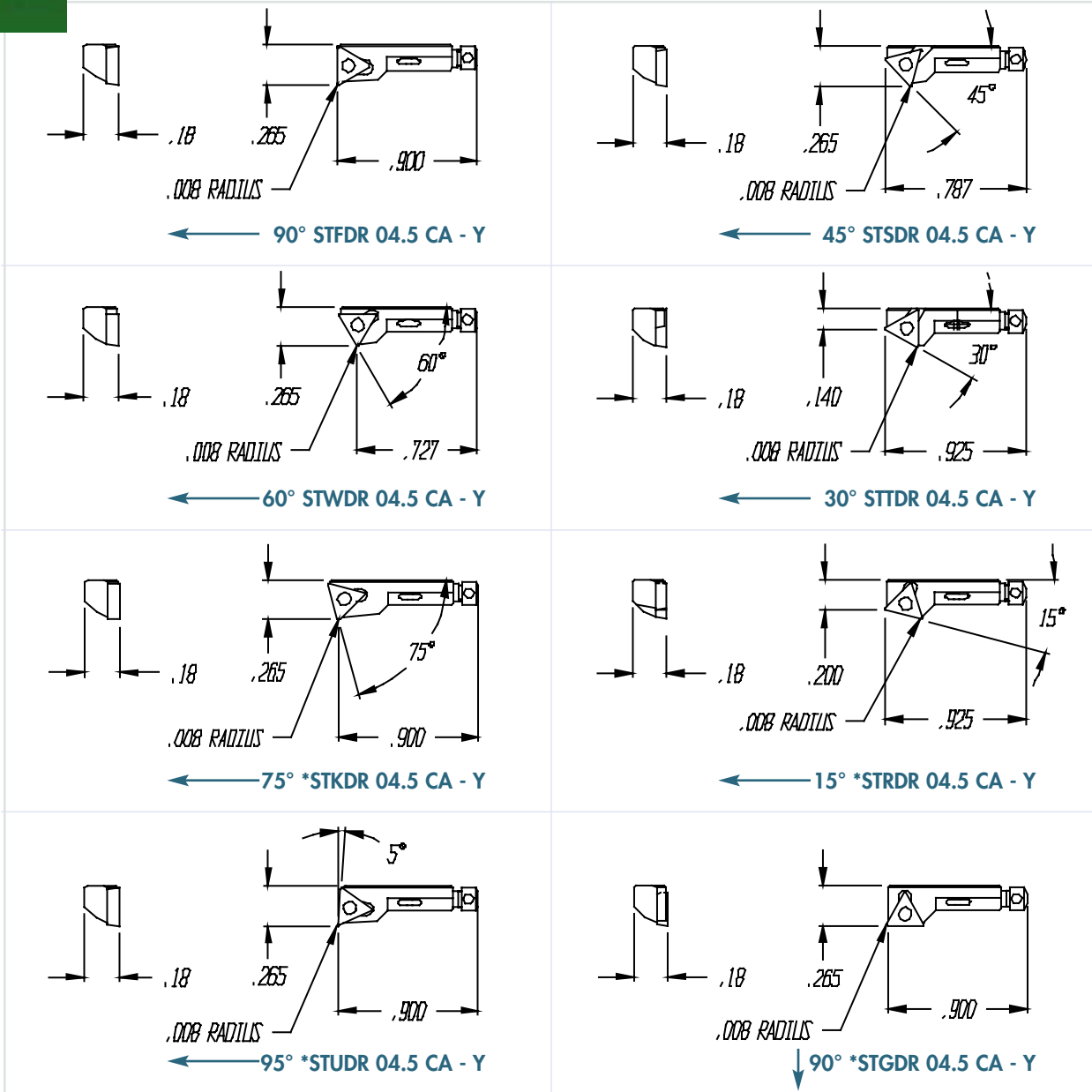
| | |
|----------------------------------|----------------------------------|
| <p>← 90° SCFDR 03.5 CA - 03</p> | <p>← 45° SCDR 03.5 CA - 03</p> |
| <p>← 60° SCWDR 03.5 CA - 03</p> | <p>← 30° SCTDR 03.5 CA - 03</p> |
| <p>← 75° *SCKDR 03.5 CA - 03</p> | <p>← 15° *SCRDR 03.5 CA - 03</p> |
| <p>← 95° *SCUDR 03.5 CA - 03</p> | <p>↓ 90° *SCGDR 03.5 CA - 03</p> |

Cartridges



INSERT TDAB 1.21.50 TDAB 06 T0 02 TORX SCREW TF 05996 .551 MINIMUM BORE

12

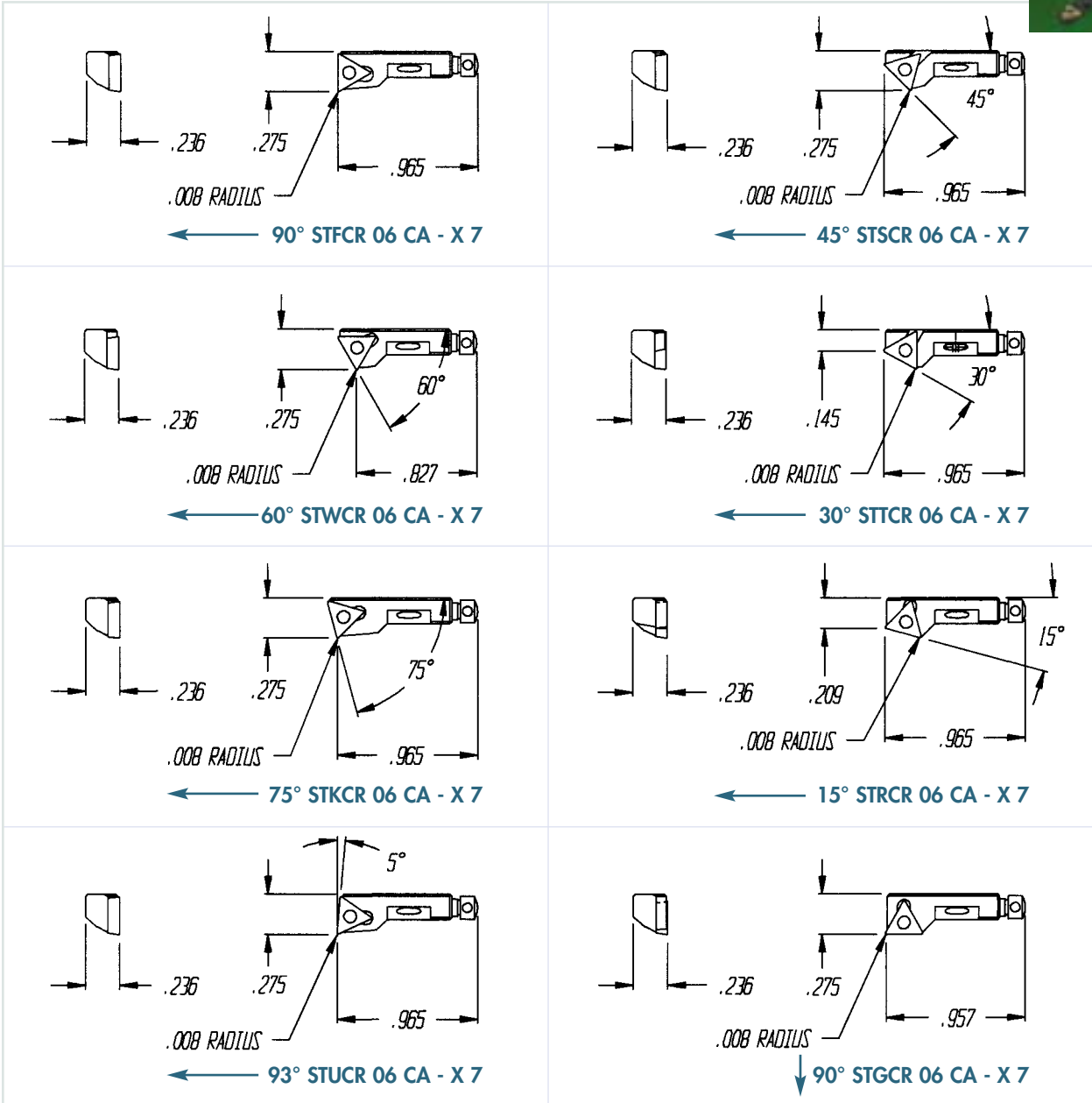




ISO STANDARD Cartridges



INSERT TCMT 1.21.21 TCMT 06 T1 04 TORX SCREW TF 20456 .6140 MINIMUM BORE



Cartridges



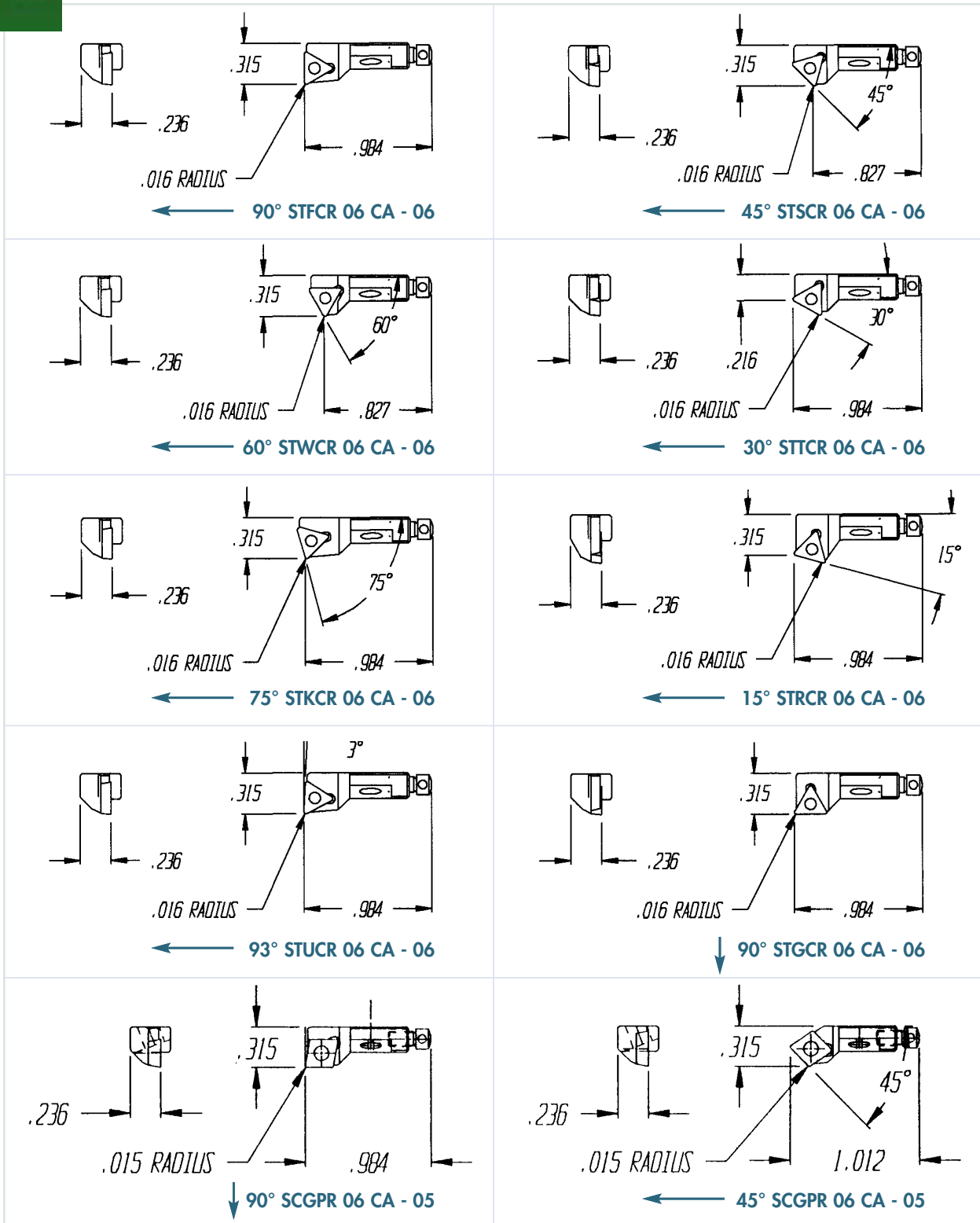
INSERT TCMT 1.21.21

TCMT 06 T1 04

TORX SCREW TF 20456

.7870 MINIMUM BORE

14

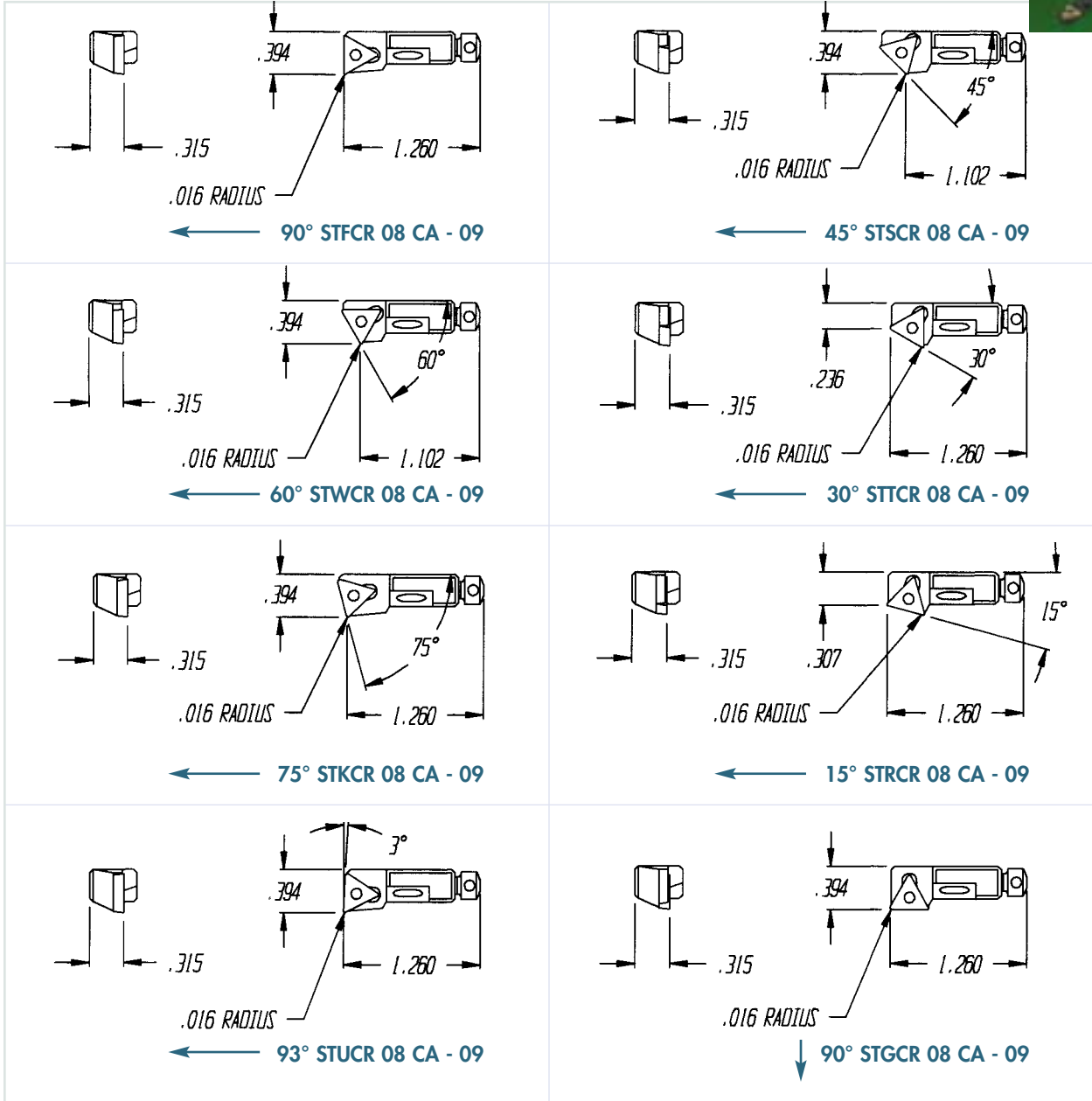




ISO STANDARD Cartridges



INSERT TCMT 1.81.51 TCMT 09 02 04 TORX SCREW TF 26260 .9840 MINIMUM BORE



15
TOOLFAB
ISO STANDARD CARTRIDGES

Cartridges



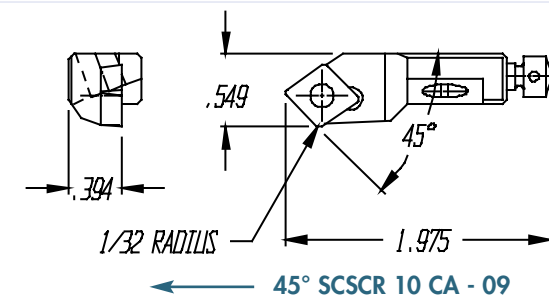
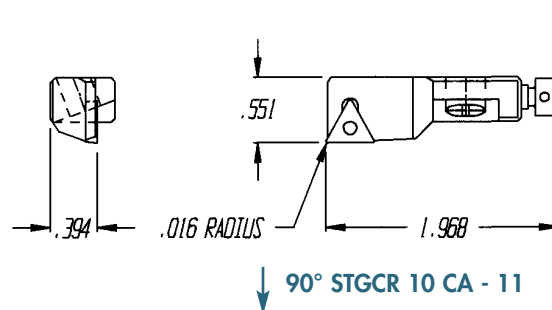
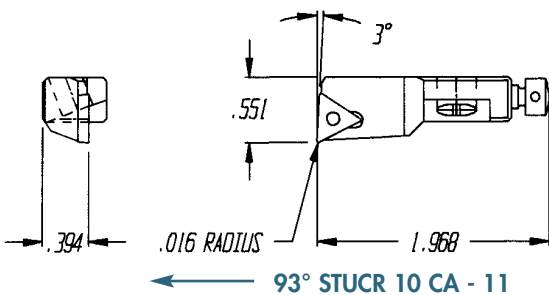
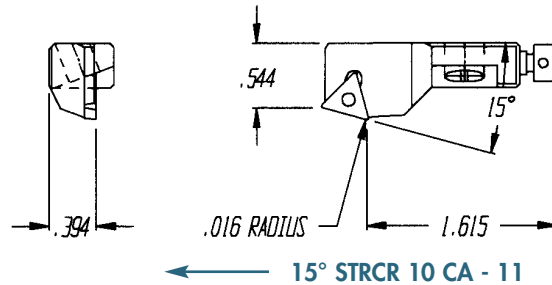
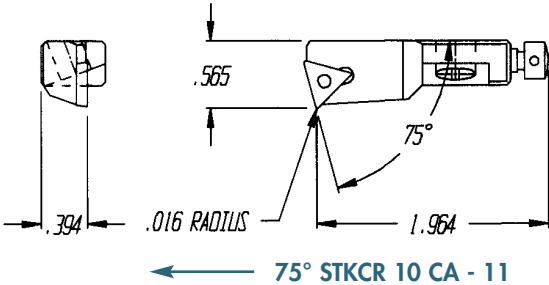
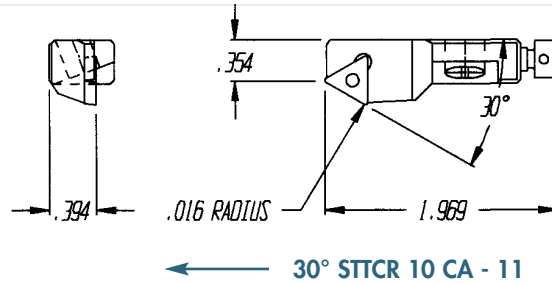
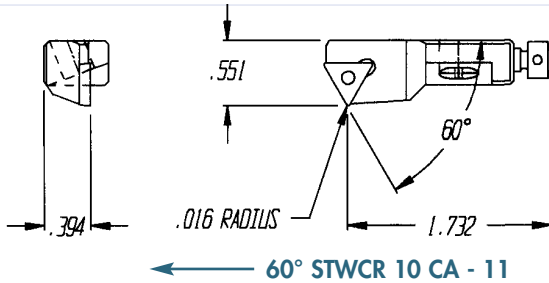
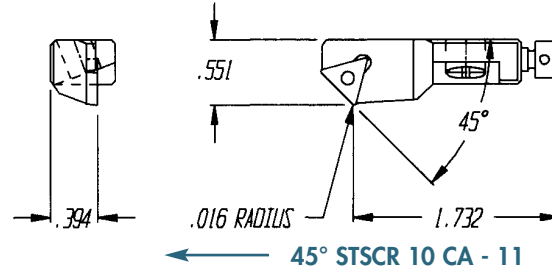
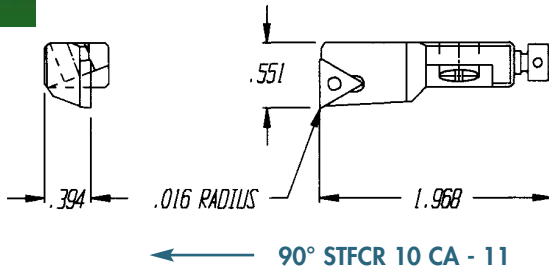
INSERT TCMT 21.51

TCMT 11 02 04

TORX SCREW TF 26264

1.5750 MINIMUM BORE

16



Insert #
CCMW - 32.52
CCMW 09T304

Torx Screw #
TF 04754



ISO STANDARD
Cartridges



INSERT TCMT 32.52 TCMT 16 T3 08 TORX SCREW TF 04754 1.9680 MINIMUM BORE

